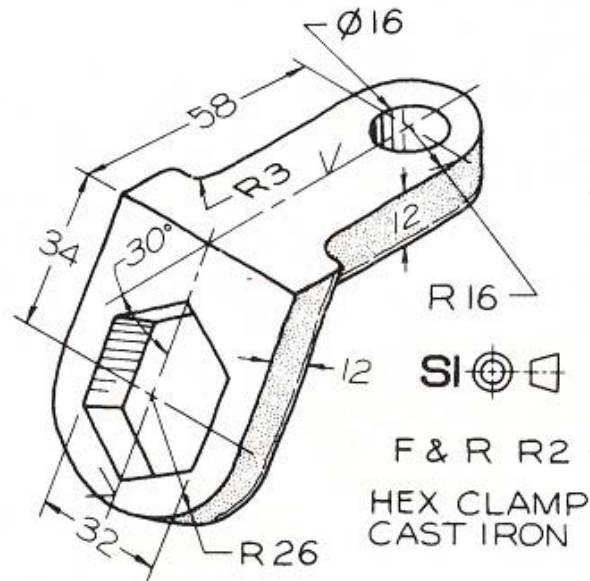


LAB ASSIGNMENT # 3



Note: **Front View** is drawn by looking at the inclined side.

- 1) Use Solid Edge Draft environment.
- 2) Use metric units.
- 3) Draw the Sectional Right hand side View along the line of symmetry.
- 4) Also draw the Auxiliary View of the inclined surface.
- 5) Use the dimensions given to draw but **do not** dimension the views.
- 6) Drawing should be printed on a 1:1 scale.
- 7) Print your Name, Section number and SSN.
- 8) Assignment is due at the beginning of the next lab session.