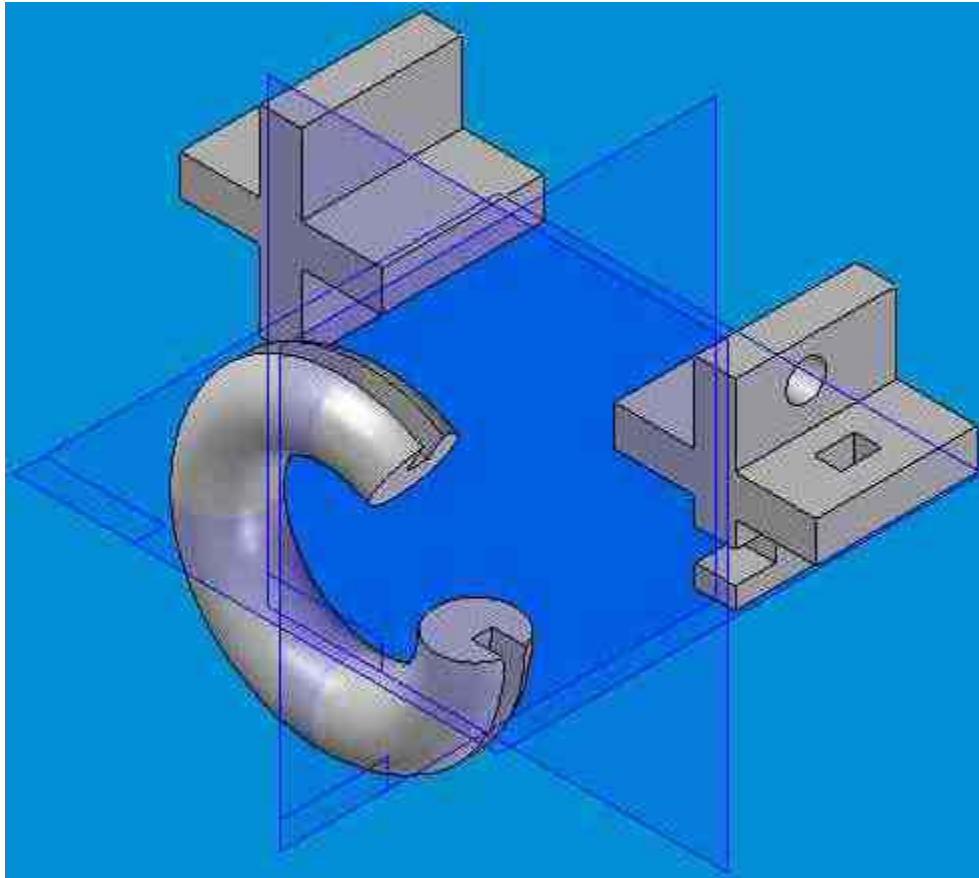


LAB ASSIGNMENT # 4



- 1) Draw the above three figures in the Solid Edge Part environment.
- 2) Use the appropriate dimensions.
- 3) The three figures can be placed in any order.
- 4) Drawing should be printed on a 1:1 scale.
- 5) Print your Name, Section number and SSN.
- 6) Assignment is due at the beginning of the next lab session.